

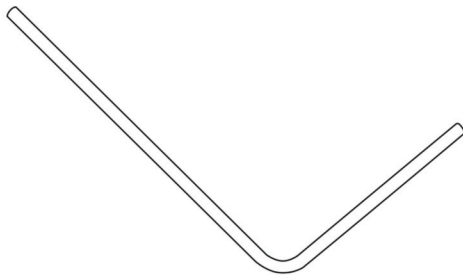


HURLINGHAM

The Bath Company

Bath Overflow Waste Fitting Guide

Contents



Overflow Pipe



Back Plate



Back Plate Seal



Front Plate



Front Plate Screw



Ceramic Disc Seal



Ceramic Disc



Overflow Cap



Plug & 80cm Chain



Waste Trap



Waste Trap Seal



Plug Hole Seal



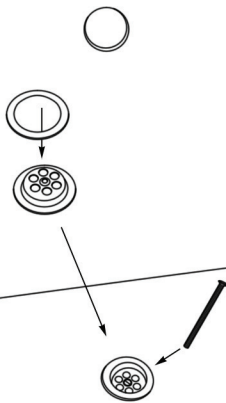
Plug Hole



Plug Hole Screw

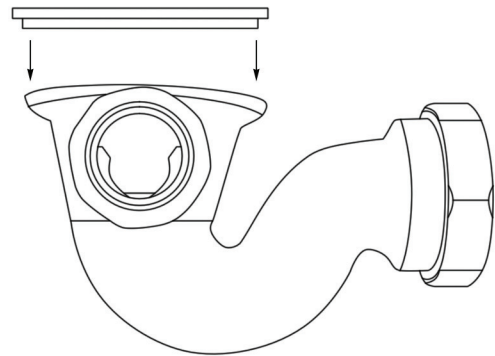
Please note, for attaching the bath waste you will require a flat head screw driver, a spirit level, a marker pen an adjustable spanner and a hacksaw.

1



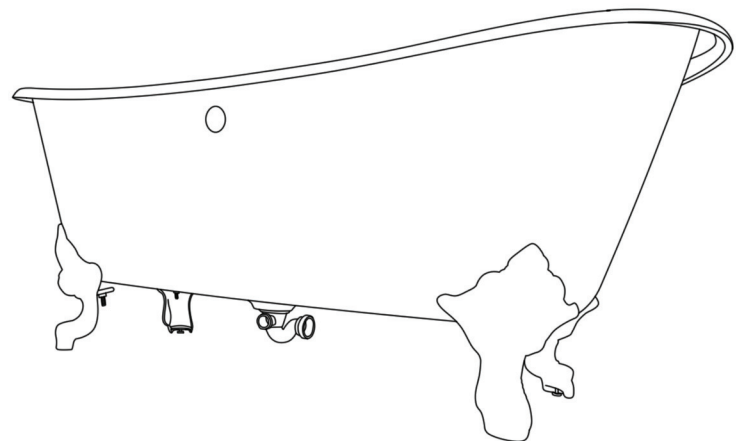
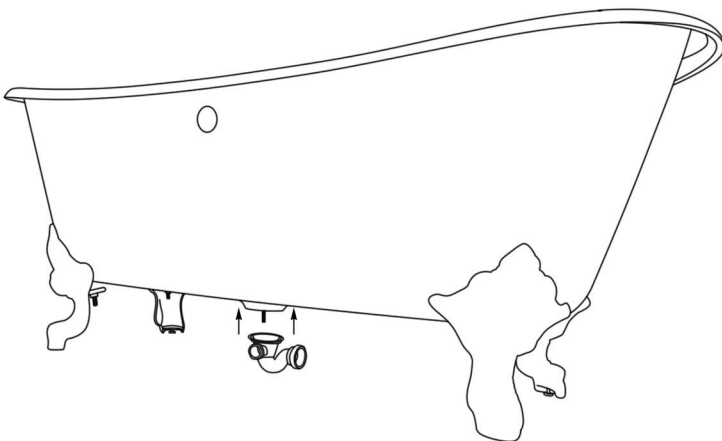
Place the plug hole seal on the bottom of the plug hole, then place in the plug hole into the waste hole in the bottom of the bath. Insert the plug hole screw into the centre hole of the plug hole.

2



Place the waste trap seal on the top of the waste trap. The grooves should be facing upright on the waste trap seal.

3



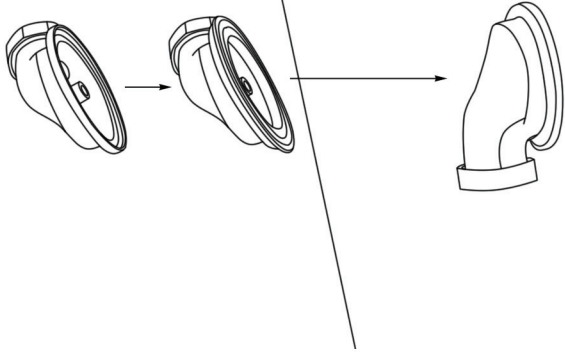
Attach the waste trap to the bottom of the bath. The plug hole screw fits into the centre hole of the waste trap. The plug hole screw should now be hand tightened with a flat head screw driver. If the plug hole screw is too long, cut to the desired length. It is recommended to only cut small parts of the plug hole screw at one time to avoid cutting the plug hole screw too short.



HURLINGHAM
The Bath Company

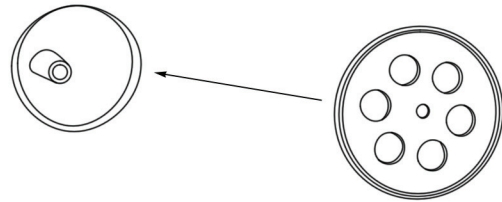
Bath Overflow Waste Fitting Guide

4



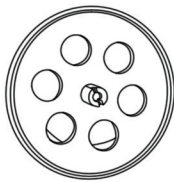
Attach the back plate seal onto the back plate, the grooves should face up. Hold against the overflow hole on the bath.

5



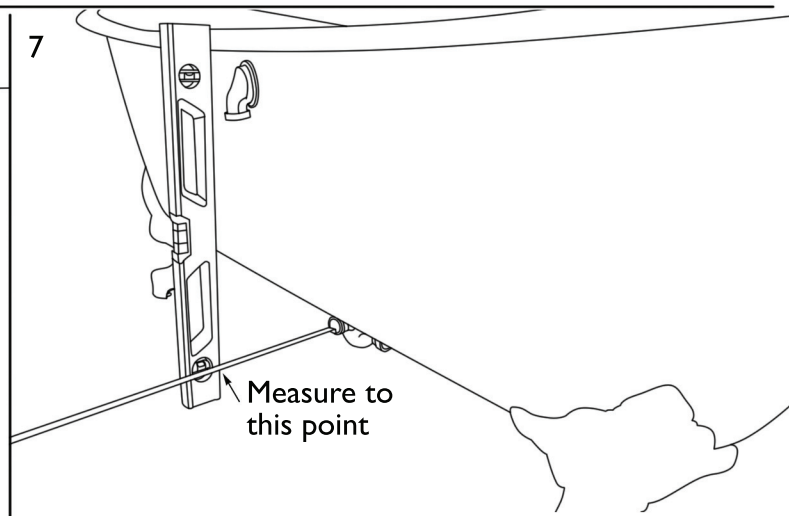
Hold the front plate against the overflow on the inside of the bath.

6



Pass the front plate screw through the front plate and hand tighten to the back plate. If too long, shorten screw as required.

7



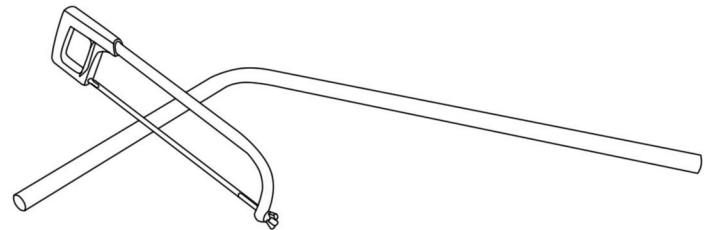
To determine how much overflow pipe will need cutting off, place a spirit level against the bath and measure from the edge of the waste trap, to the edge of the spirit level.

8



Taking the measurement from step 7, mark it on the short side of the overflow pipe, with a marker pen, from the edge of the bend.

9



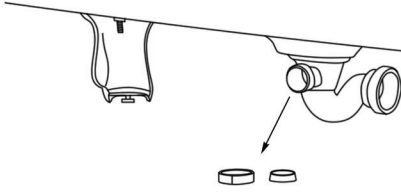
With a hacksaw that is suitable to cut metal, cut the marked point.



HURLINGHAM
The Bath Company

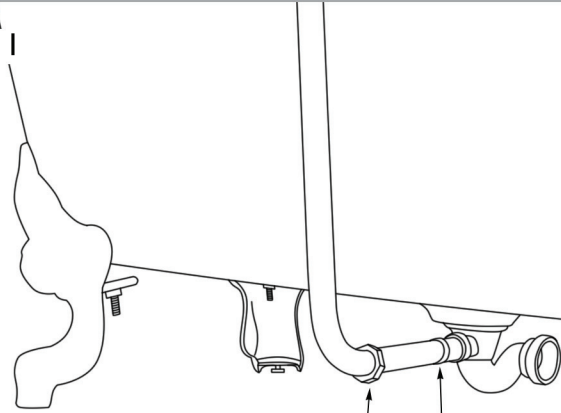
Bath Overflow Waste Fitting Guide

10



Remove the smallest waste trap nut and tapered seal from the waste trap, do not discard these.

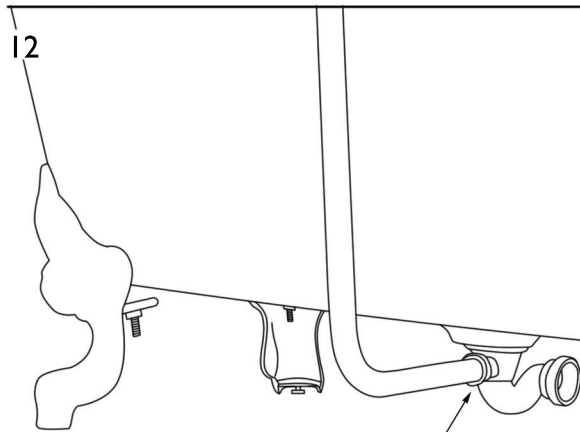
11



Waste trap nut & seal

Place the waste trap nut followed by the tapered seal onto the cut side of the overflow pipe. The tapered seal should be inserted with the thinnest edge facing the waste trap. Insert the overflow pipe into the waste trap.

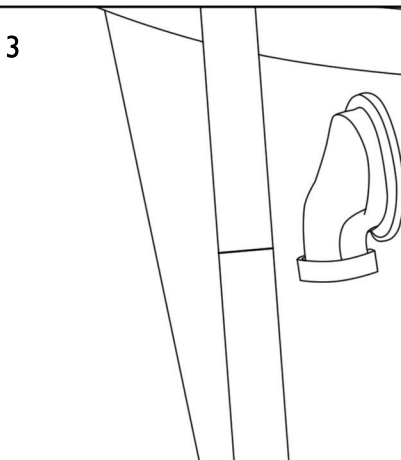
12



Hand tighten

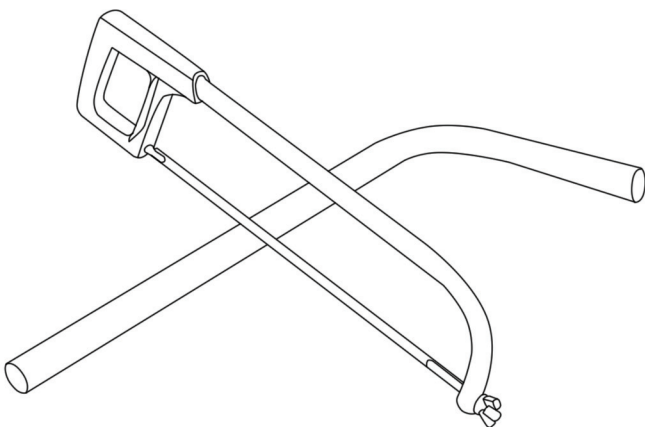
Push the waste trap tapered seal into the waste trap and then hand tighten the waste trap nut to the waste trap. Ensure the waste trap pipe is pointing upright.

13



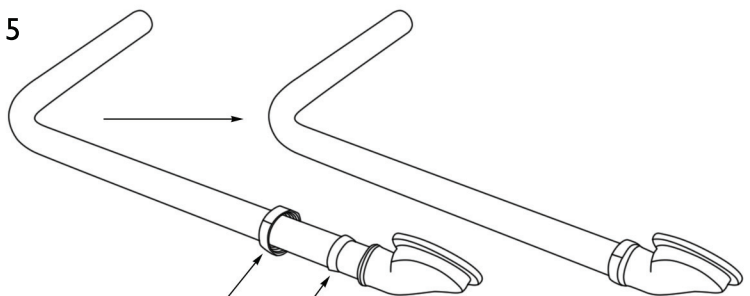
With a marker pen, mark a cut line on the overflow pipe just above the nut on the back plate.

14



Remove the pipe from the waste trap. Cut on the marked line.

15



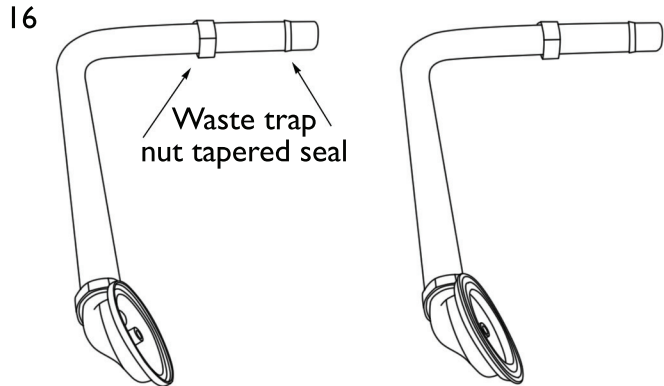
Backplate nut & tapered seal

Remove the back plate from the bath and then unscrew the back plate nut and tapered seal. Place the back plate nut followed by the tapered seal onto the overflow pipe - the side that has just been cut. The tapered seal should be inserted with the thinnest edge facing the back plate. Attach the back plate to the waste pipe, insert the tapered seal into the back plate and hand tighten the nut.

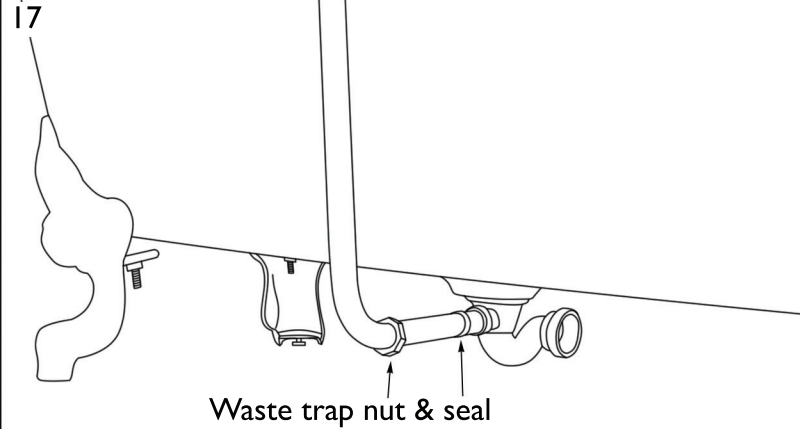


HURLINGHAM
The Bath Company

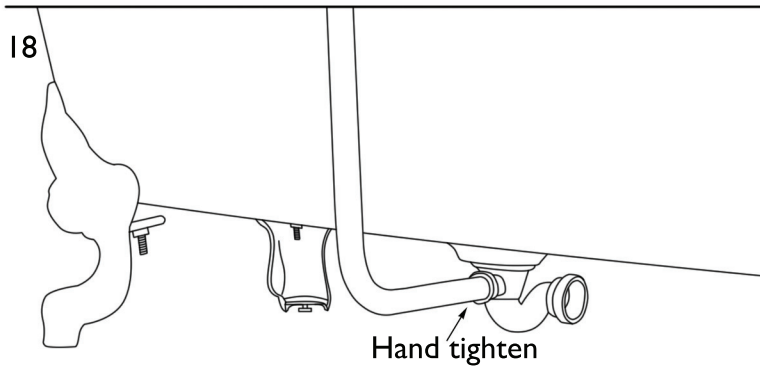
Bath Overflow Waste Fitting Guide



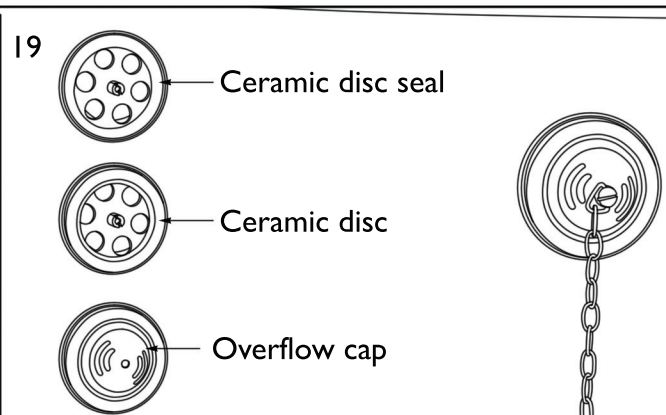
Place the waste trap nut followed by the tapered seal onto the overflow pipe. The tapered seal should be inserted with the thinnest edge facing the waste trap. Attach the back plate seal onto the back plate, the grooves should face up.



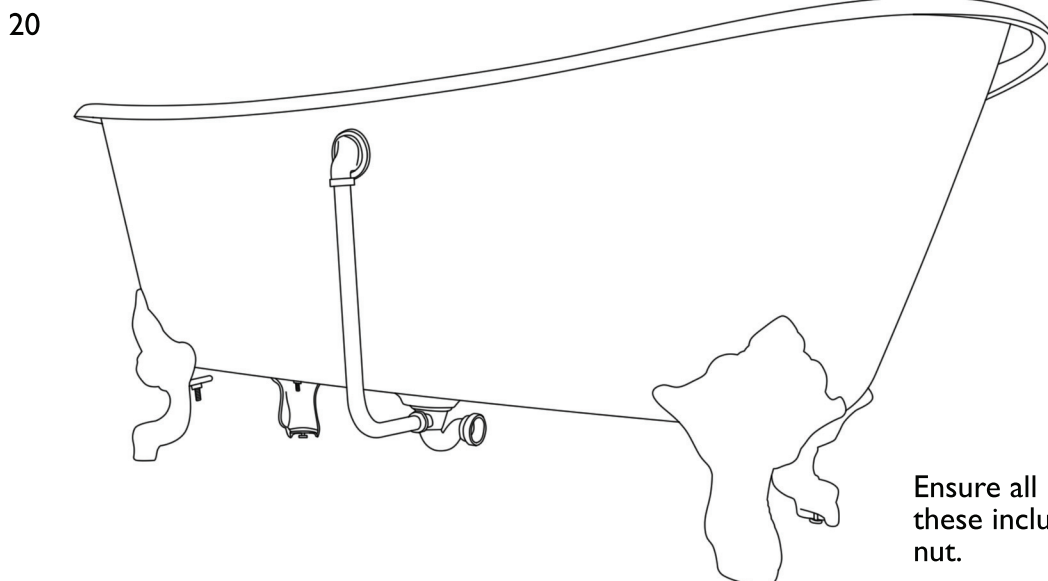
Insert the overflow pipe into the waste trap hole.



Push the waste trap seal into into the waste trap and then hand tighten the waste trap nut to the waste trap. Hold the back plate against the overflow on the bath. Now repeat steps 5 and 6. Should the waste pipe still be too long, it will need cutting again, only cut small pieces off to avoid cutting too short, then repeat the necessary steps.



Place the ceramic disc seal onto the front plate, followed by the ceramic disc, then the overflow cap and finally the plug and chain. Tighten the plug and chain screw with a flat head screw driver.



Ensure all nuts are tightened with a spanner, these include the waste trap nut and back plate nut.